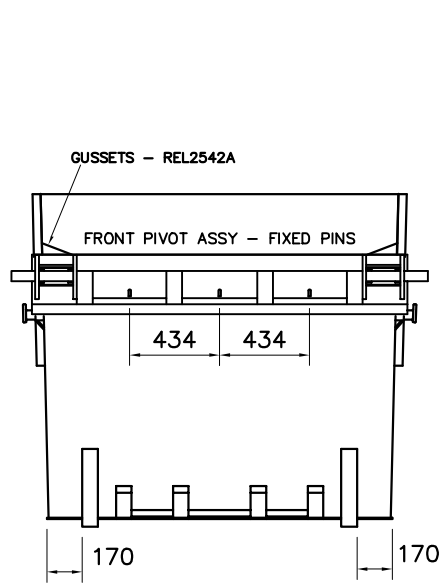


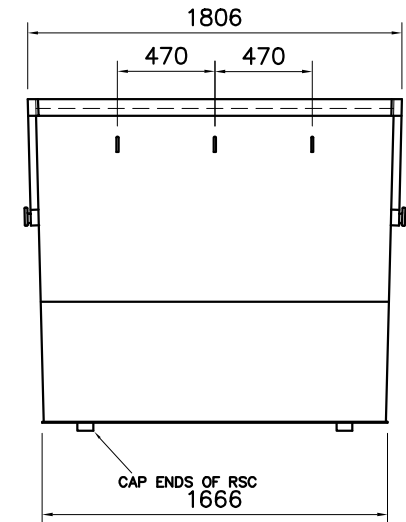
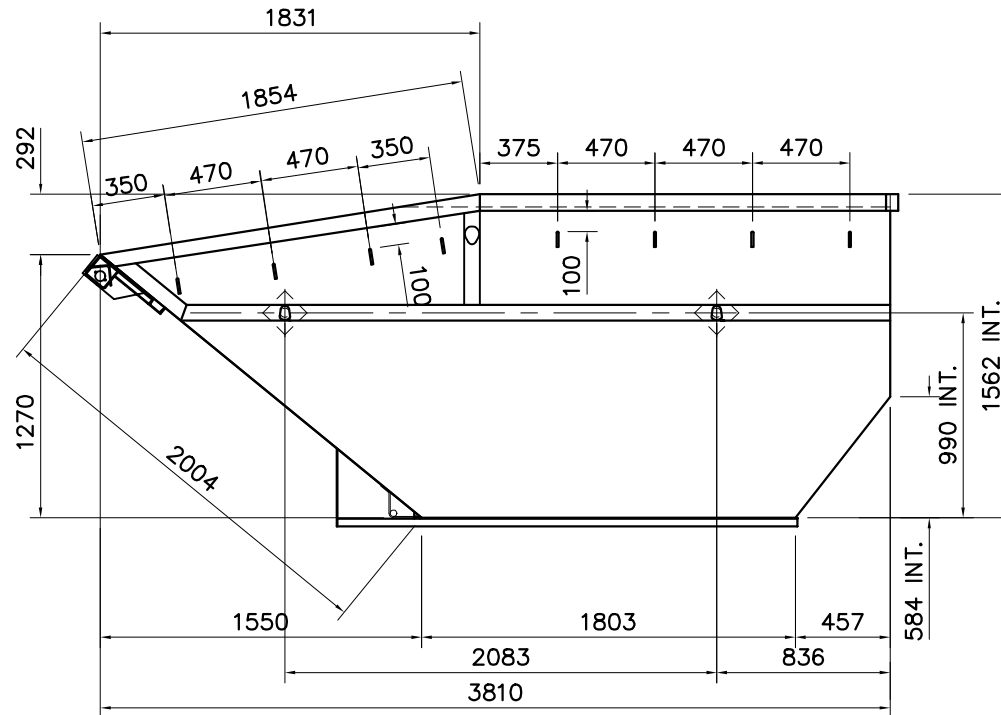
OPTIONS

OPTION No	OPTION	DRG.No.
1	FIXED PINS	REL2631
6	BIG BITE LUG	REL2554
YES/NO	DRAIN HOLES	REL2515

YES/NO



FIXED ITEMS



DESCRIPTION	DRG.No.
PLATE DETAILS	REL2568B
SECTION DETAILS	REL2568C
TIPPING BAR	REL2506A
CORNER GUSSETS	REL2542A

NOTE: - FULLY WELD ALL PLATES INSIDE & OUTSIDE
 FULLY WELD LUG CHANNELS, STITCH WELD ALL OTHERS
 FULLY WELD PIVOT ASSEMBLY TO FRONT PLATE.

F:\STDREL\2568A



ENGINEERING LIMITED
 CHADDERTON . OLDHAM
 LANCASHIRE

REV.	1	2	3	4	5
DATE					
INITIAL					
ECR					
REV.	6	7	8	9	10
DATE					
INITIAL					
ECR					

QTY:	ORDER No :	DATE	DATE
SCALE 1: 25	DRAWN	A.B.	26\02\97
PROJECTION	CHECKED	A.K.	26\02\97

DRAWING NAME :
 10 CU YD OPEN TAPERED
 REL CONTAINER

CLIENT :
 DRG. No. : REL2568 /1 /6

SHT	REV
A	0

This drawing is the property of Sellers Engineering Ltd and must not be copied, reproduced or used for any purpose whatsoever, except that for which it is supplied without the express written consent of the company. We reserve the right to alter this drawing without notice.