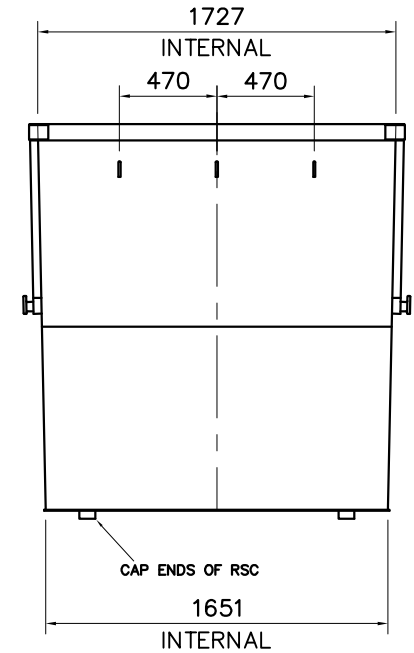
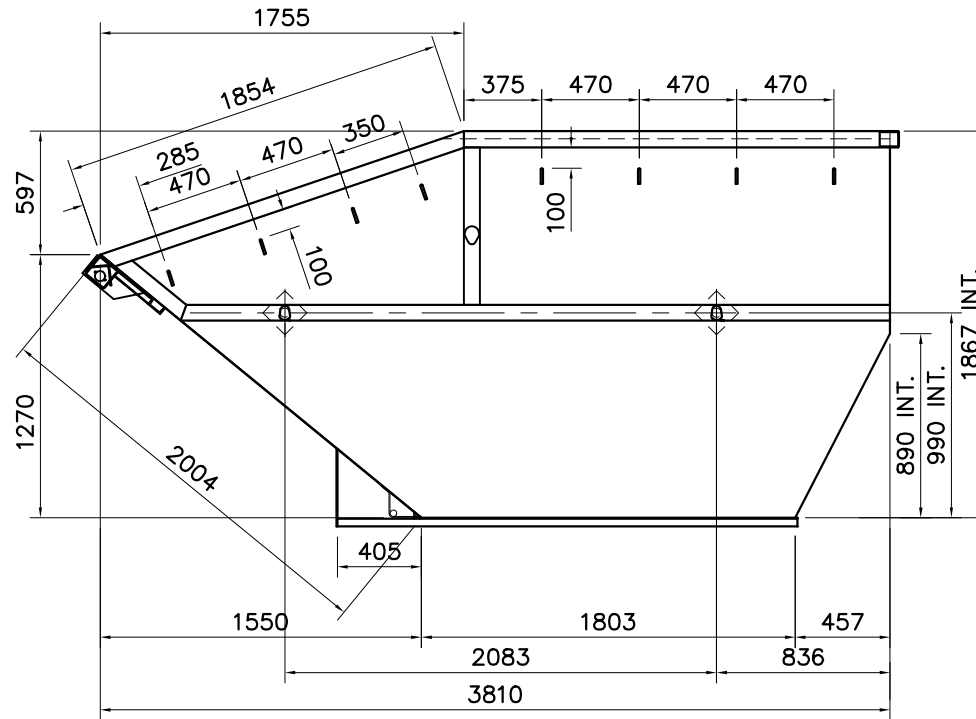
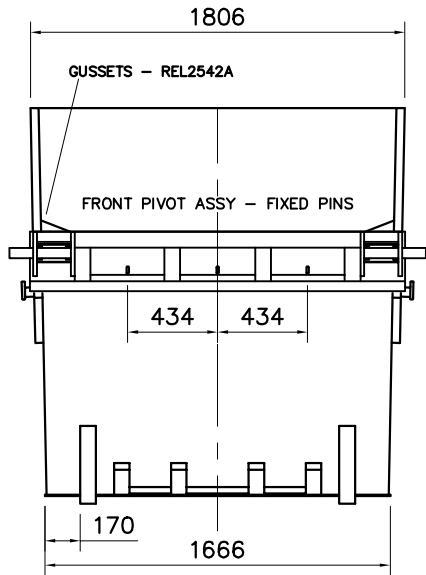


OPTIONS

OPTION No	OPTION	DRG.No.
1	FIXED PINS	REL2631
6	BIG BITE LUG	REL2548
YES/NO	DRAIN HOLES	REL2515
YES/NO	FULLY WELD ALL CHANNELS	



FIXED ITEMS

DESCRIPTION	DRG.No.
PLATE DETAILS	REL2564B
SECTION DETAILS	REL2564C
TIPPING BAR	REL2506A

NOTE:- FULLY WELD ALL PLATES INSIDE & OUTSIDE
 FULLY WELD LUG CHANNELS, STITCH WELD ALL OTHERS
 FULLY WELD PIVOT ASSEMBLY TO FRONT PLATE.

F:\STDREL\2564A

ENGINEERING LIMITED CHADDERTON . OLDHAM LANCASHIRE	REV.	1	2	3	4	5	QTY:	ORDER No :	DRAWING NAME :		SHT	REV			
	DATE								SCALE 1: 25	DATE			DATE	CLIENT :	
This drawing is the property of Sellers Engineering Ltd and must not be copied, reproduced or used for any purpose whatsoever, except that for which it is supplied without the express written consent of the company. We reserve the right to alter this drawing without notice.	INITIAL						PROJECTION	DRAWN	PB	21\02\97	DRG. No. : REL2564 /1 /6	A	0		
	ECR									CHECKED				A.K.	21\02\97
	REV.	6	7	8	9	10									