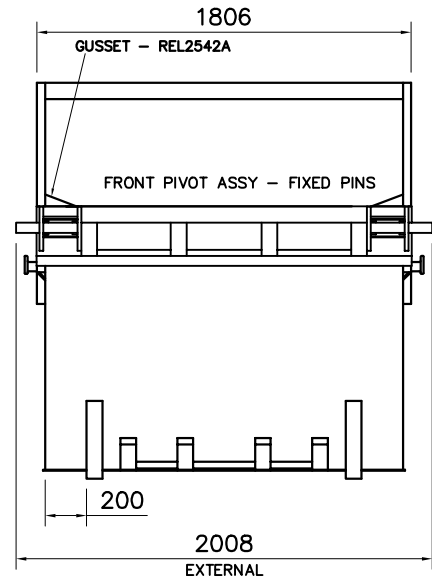


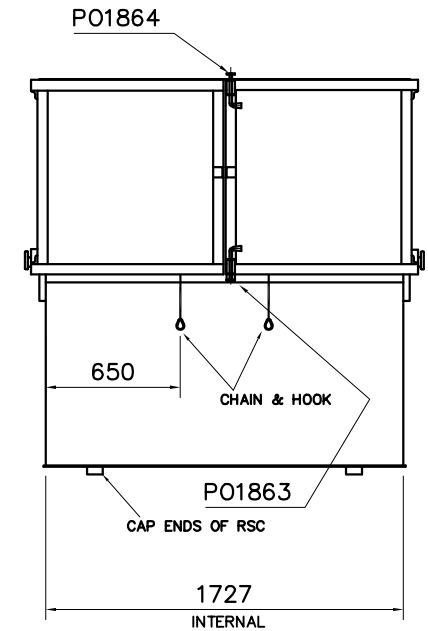
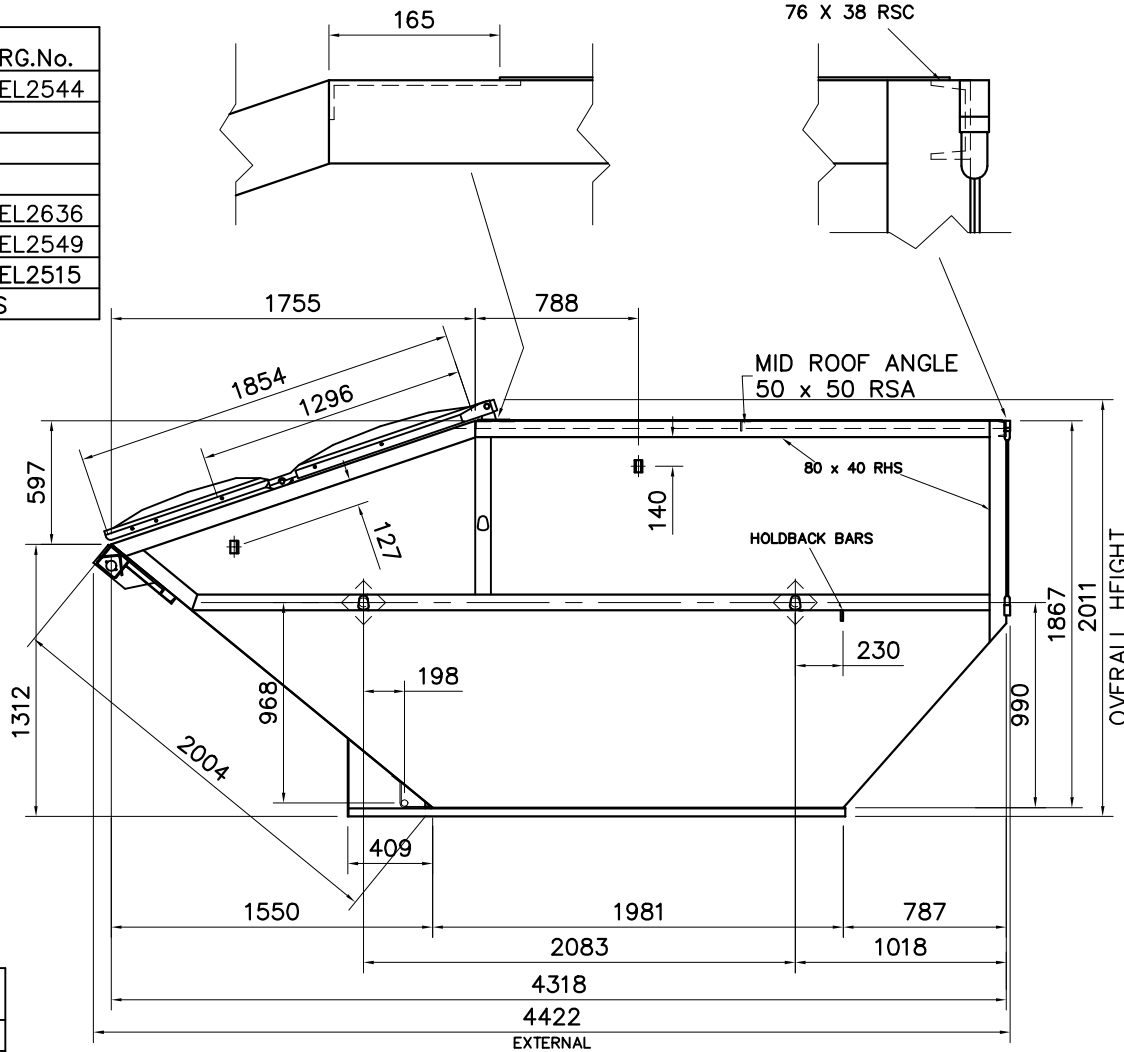
OPTIONS

OPTION No	OPTION	DRG.No.
1	FIXED PINS	REL2544
5	PLASTIC LIDS	REL2636
6	BIG BITE LUG	REL2549
YES/NO	DRAIN HOLES	REL2515
YES/NO	FULLY WELD ALL CHANNELS	



FIXED ITEMS

DESCRIPTION	DRG.No.
PLATE DETAILS	REL2546B
SECTION DETAILS	REL2546C
TIPPING BAR	REL2506A
REAR DOOR	REL2539A
PRESSED ROOF ANGLE	REL2310A



NOTE: - FULLY WELD ALL PLATES INSIDE & OUTSIDE
 FULLY WELD LUG CHANNELS, STITCH WELD ALL OTHERS
 FULLY WELD PIVOT ASSEMBLY TO FRONT PLATE.

F:\STDREL\2546A



ENGINEERING LIMITED
 CHADDERTON . OLDHAM
 LANCASHIRE

REV.	1	2	3	4	5
DATE					
INITIAL					
ECR					
REV.	6	7	8	9	10
DATE					
INITIAL					
ECR					

QTY:	ORDER No :	DATE	DATE
SCALE 1: 25	DRAWN	PB	30\04\96
PROJECTION	CHECKED	A.K.	30\04\96

DRAWING NAME :		14 CU YD ENCLOSED - LIDDED REL CONTAINER	
CLIENT :		SHT	REV
DRG. No. : REL2546 /1		A	0
		/5/6	

This drawing is the property of Sellers Engineering Ltd and must not be copied, reproduced or used for any purpose whatsoever, except that for which it is supplied without the express written consent of the company. We reserve the right to alter this drawing without notice.