

DIMENSION IN MILLIMETRES EXCEPT WHERE NOTED

OPTIONS

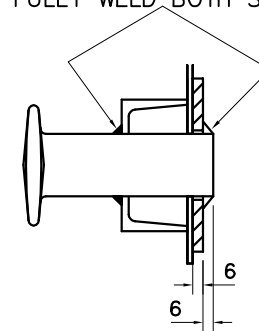
YES/NO	DESCRIPTION	DRG.No.
	DRAIN HOLES	
	SIGNWRITING	
	FULLY WELDED (IF NO, SEE NOTES)	

FIXED ITEMS

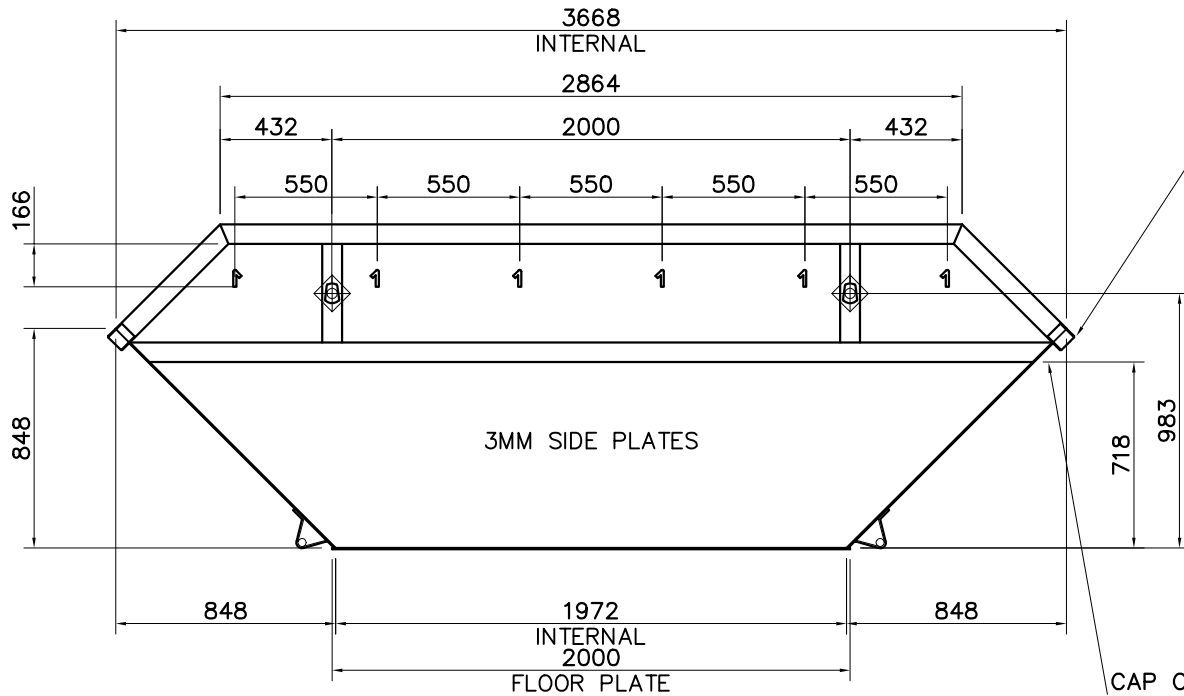
DESCRIPTION	DRG.No.
PLATE DETAILS	8YSK01B
CHANNEL DETAILS	8YSK01C
TIPPING BAR	SKTIPO1A

NOTES. FULLY WELD ALL PLATES INSIDE & OUT
 FULLY WELD LUG CHANNELS & TOP OF MID HORIZONTAL CHANNEL
 STICH WELD OTHERS

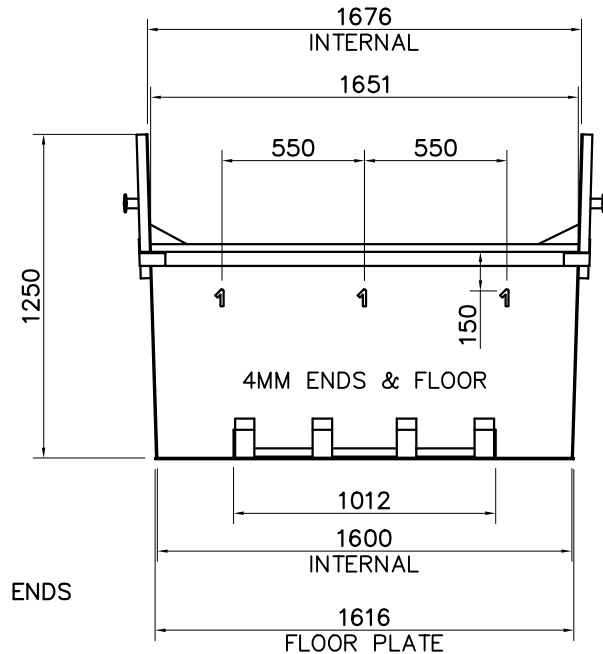
FULLY WELD BOTH SIDES



LIFTING LUG
 FITTING DETAIL
 SCALE 1 : 3



FIT WRAP AROUND PLATES



CAP CHANNEL ENDS

F:\STDSKIPS\08YSK01A



ENGINEERING LIMITED
 CHADDERTON . OLDHAM
 LANCASHIRE

REV.	1	2	3	4	5
DATE	14/05/99				
INITIAL	A.K.				
ECR	C018/99				

QTY:

ORDER No :

DRAWING NAME :
 8 CUYD BUILDERS D.E.T. SKIP

This drawing is the property of Sellers Engineering Ltd and must not be copied, reproduced or used for any purpose whatsoever, except that for which it is supplied without the express written consent of the company. We reserve the right to alter this drawing without notice.

REV.	6	7	8	9	10
DATE					
INITIAL					
ECR					

SCALE 1: 20

DATE DATE

CLIENT :

SHT REV

PROJECTION

DRAWN	CD	27\06\97
CHECKED	A.K.	27\06\97

DRG. No. : 08YSK01

A 1